

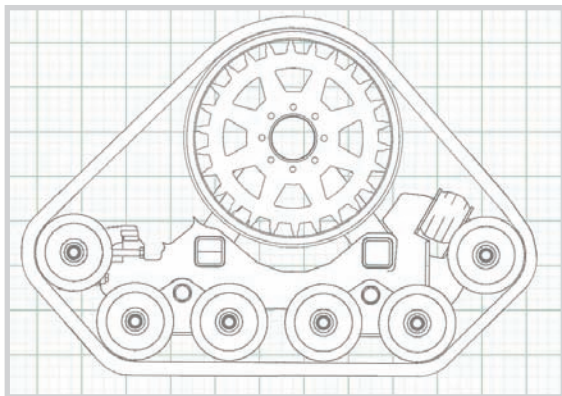
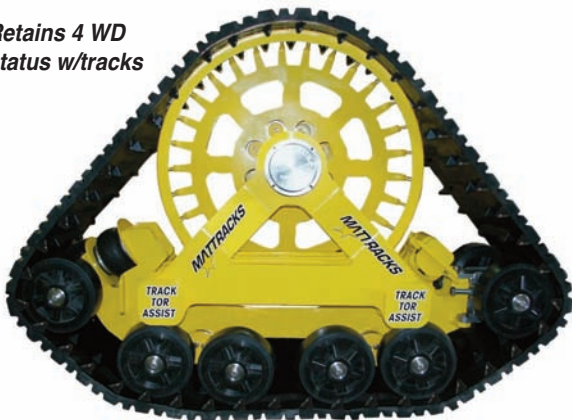
MATTRACKS SALES, INC

MATTRACKS
6060 Track-Tor-Assist™
4 WD

Custom designed to fit most 4 wheel drive tractors.



Retains 4 WD status w/tracks



NOTE: Certain tractors may require some trimming of tractor body parts.

*Depending on vehicle **For maximum tread life
***Some vehicles may require slight alterations.

ALL SPECIFICATIONS ARE APPROXIMATE, YOUR VEHICLE'S PERFORMANCE MAY DIFFER. WE RESERVE THE RIGHT TO MAKE CHANGES OR MODIFICATIONS WITHOUT NOTIFICATION

3-22-10 Copyright Mattracks Sales, Inc., Karlstad, MN

SPECIFICATIONS

Exclusive Anti-Torque System	Rubber Torsion - Anti Torque
Frame Construction	Structural Steel
Type of Vehicle***	4 wheel drive/front assist tractors
Recommended Max. Gross Wt.	17,000 lbs. (7,711 kg) GVW
		Ft. 8,500 lbs. (3,855 kg), Rr. 8,500 lbs. (3,855 kg)
Internal Suspension	Concentric Pivot w/ Rocker Arm, Air Ride Pneumatic
		<i>(Smooth ride with minimum change to track tension, resulting in minimal heat buildup)</i>
Track Tread Width	18 in. (457 mm)
Tread Style	All-Terrain, Self-Cleaning Lug, Quiet, Highly Efficient
Track Material	Specially Formulated Rubber Compound with Internal Reinforced Composites
Overall Width (Outside to outside of tracks)	Depends on tractor model
Recommended Operating Temperature	(Ambient) -38° F to +130° F (-40° C to +55° C)
Ground Contact Length [typical]:		
(Hard Surface)	Front 41 in. / Rear 41 in.
		(Front 1,041mm / Rear 1,041 mm)
(Soft Surface)	Front 56 in. / Rear 56 in.
		(Front 1,422 mm / Rear 1,422 mm)
Ground Contact Surface Area	2,958 sq. in. min. (19,084 sq. cm min.)
		4,032 sq. in. max. (26,013 sq cm max.)
Gear-Reduction25 to 50% depending on original tire size.
Wheels (Double Shielded & Sealed Bearing)8 in. x 2.5 in. HD extra seals (12 Front, 12 Rear /corner)
		(203 mm x 63.5 mm)
Wheel MaterialUHMW and Rubber
Paint (color)Yellow-Standard
		Optional: Other colors, E Coat Corrosion, Resistance

PERFORMANCE

Recommended Max. Speed**20 mph (30 km/h)
Turning RadiusSame as original vehicle
Approach Angle*Up to 90°
Departure Angle*Up to 80°
Grade Capacity*100%
Side Slope Capacity68%
Terrain - All Terrain Including Hard Surfaceat 17,000 lbs. (7,711 kg) GVW
Maximum Distance Off RoadIndefinite
Maximum Distance Hard Surface**at Below 80°F (26°C) and light GVW: Indefinite
		.at Above 80°F (26°C) and light GVW: 15 miles at 20 mph (25 kmat30 km/h)
		.at Above 80°F (26°C) at GVW: 5 mile at 20 mph (8 km at 30 km/h)

